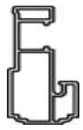
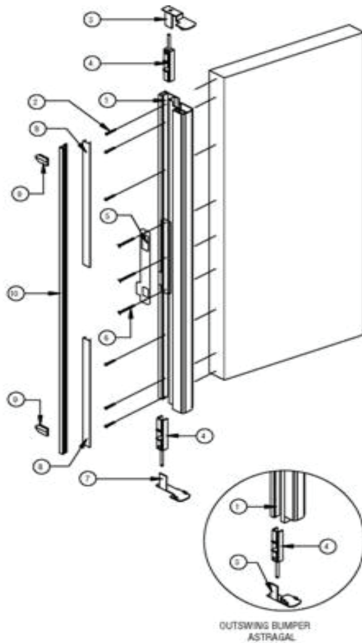


Availability: * In Stock / ** 2 Weeks / *** 3 Weeks



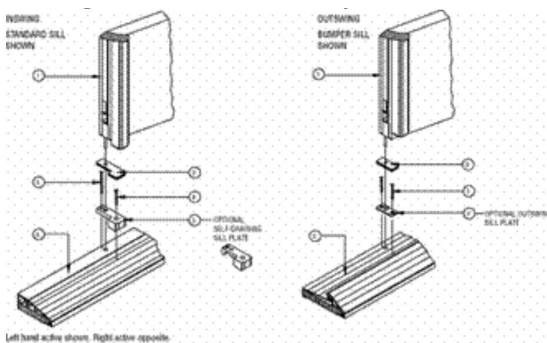
VINYL ASTRAGAL KIT COMPLETE READY TO INSTALL

Includes Header, Sill Plate Kit,
Flush Bolts and Security Strike Plate.



Left hand active shown. Right active opposite.

ASTRAGAL SILL PLATE ASSEMBLY



Left hand active shown. Right active opposite.

Note: Specify sill type (self draining inswing or standard inswing) (standard outswing or bumper outswing) and handling (L.H. or R.H.) when ordering.

Bill of Material

	Qty
Vinyl astragal - R.H., L.H.	1
#8 x 3/4" P.H. screws - zinc plated	8
Top cap - R.H., L.H	1
Flushbolt	2
Strike plate	1
#8 x 1-3/4" F.H. - brass plated	4
Bottom cap - R.H., L.H.	1
Astragal cap	2
Corner Seal - Lockside	2
Weatherstripping (supplied separately)	1
Strike adjustment bracket	1

Bill of Material

	Qty	Qty
	Self Draining & Std. Outswing	Std. Inswing
Vinyl astragal assembly	1	1
Pile seal - R.H., L.H	1	1
#9 " 1-1/4" F.H. screw - zinc plated	2	1
#9 " 3/4" F.H. screw - zinc plated	0	1
Sill plate - R.H., L.H	1	1
Astragal Sill Plate Assembly Sill assembly	1	1

Astragal Sill Plate Kit

(Specify sill type and handling when ordering).

Qty
Each

Assembly Note

Assemble astragal to door. Insert flushbolts, top and bottom caps into astragal. Assemble strike plate and, if necessary, strike adjustment bracket. Snap astragal cap onto astragal. Assemble weatherstripping into astragal. Position corner seal to top and bottom of astragal.

Size	Part#	Unit Price	Unit List Price	Availability
80"	VASTK	White Vinyl Finish		*
95"	VASTK95	White Vinyl Finish		*

Prices, specifications, design and product detail are subject to change without notice.

**ALUMINUM
SMOOTH WHITE**



Size	Part#	Unit Price	10 Pack	Availability
79"	ASTALSM79LH			*
	ASTALSM79RH			*
95"	ASTALSM95LH			*
	ASTALSM95RH			*

**ALUMINUM
VINYL WRAPPED
STAINABLE**



Size	Part#	Unit Price	10 Pack	Availability
79"	ASTALST79LH			*
	ASTALST79RH			*
95"	ASTALST95LH			*
	ASTALST95RH			*

Features

- Air/Water DP 40+ Certification.
- Boxed fin design.
- Adjustable strike plate base.
- Drive-on boot.
- Boot certified for 5000 cycles with no wear.
- Stainable vinyl wrap available in **oak** grain.
- Locking thumb bolts.
- Smooth one-step operation.
- Available in both left and right hand.

Prices, specifications, design and product detail are subject to change without notice.

WHITE PINE



Description	Part#	Unit Price	10 Pack	Availability
79" x 3 1/8" x 1 3/16"	AST79W			*
96" x 3 1/8" x 1 3/16"	AST96W			*

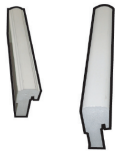
(Indicate at end of part # Prep=P, No Prep=NP)

COMPOSITE SMOOTH WHITE AND TEXTURED



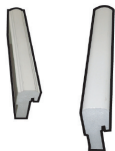
Description	Part#	Unit Price	10 Pack	Availability
SMOOTH WHITE				
84" x 3 1/4" x 1 5/16"	AST84CS			*
96" x 3 1/4" x 1 5/16"	AST96CS			*
TEXTURED				
84" x 3 1/4" x 1 5/16"	AST84CT			*
96" x 3 1/4" x 1 5/16"	AST96CT			*

FOAM SMOOTH WHITE



FOAM SMOOTH WHITE				
84" x 3 1/4" x 1 5/16"	AST84FM			*
FOAM SMOOTH WHITE EXT.				
84" x 4" x 1 5/16"	ASTEXFM84			*

VINYL WRAPPED SMOOTH WHITE AND TEXTURED



SMOOTH WHITE				
84" x 3 1/4" x 1 5/16"	AST84VWS			*
96" x 3 1/4" x 1 5/16"	AST96VWS			*
TEXTURED				
84" x 3 1/4" x 1 5/16"	AST84VWT			*
96" x 3 1/4" x 1 5/16"	AST96VWT			*

ASTRAGAL SHOES AND EXTENDED SMOOTH WHITE



Description	Part#	Unit Price	50 Pack	Availability
Top/Bottom & Screws 25sets/box	ASTSHO			*
Top only	ASTSHOTOP			*
Bottom only	ASTSHOBOT			*
Top/Bottom (extended)	ASTSHOEX			*

ASTRAGAL OPTIONS

All astragals end work/prepping (flush bolt top/bottom).

Prices, specifications, design and product detail are subject to change without notice.

CENTRE MULLION POST



Description	Part#	Unit Price	10 Pack	Availability
WOOD EASTERN WHITE PINE 84" x 1 5/8" x 2 1/2"	CMPOST			*

T-BAR MULLION ALUMINUM REINFORCED



Description	Part#	Unit Price	10 Pack	Availability
CELLULAR PVC TEXTURED STAINABLE 84" x 4 3/8" x 2 1/2"	CMPOSTWG			*
102" x 4 3/8" x 2 1/2"	CMPOSTWG102			*
CELLULAR PVC SMOOTH WHITE 84" x 4 3/8" x 2 1/2"	CMPOSTWC			*
102" x 4 3/8" x 2 1/2"	CMPOSTWC102			*

T-BAR MULLION



Description	Part#	Unit Price	10 Pack	Availability
VINYL WRAPPED SMOOTH 84" x 4 3/8" x 2 1/2"	CMPOSTVWS			*
96" x 4 3/8" x 2 1/2"	CMPOSTVWS96			*
VINYL WRAPPED TEXTURED 84" x 4 3/8" x 2 1/2"	CMPOSTVWT			*
96" x 4 3/8" x 2 1/2"	CMPOSTVWT96			*

MULLION COVER EXTERIOR USE



Description	Part#	Unit Price	Box 10pcs	Availability
CELLULAR PVC SMOOTH WHITE 1 3/8" x 84"	MCEXFM			*
1 3/8" x 105	MCEXFM105			**
COMPOSITE TEXTURED STAINABLE 1 3/8" x 96"	MCEXWG			*

Prices, specifications, design and product detail are subject to change without notice.



Door Com
PRODUCTS
 a div. of Wintek Industries Inc.

MULLIONS AND MULLION COVERS

Availability: * In Stock / ** 2 Weeks / *** 3 Weeks

MULLION COVER T-CAP MOULDING BURLAP/SDL WITH TAPE



Description	Part#	Unit Price	10 Pack	Availability
TEXTURED STAINABLE 1 1/4" x 96"	SDLINTWG			*
SMOOTH WHITE 2" x 96"	SDLEX			*
1 1/4" x 96"	SDLINT			*

MULLION COVER BURLAP VINYL WRAPPED



Description	Part#	Unit Price	Box 10pcs	Availability
VINYL WRAPPED SMOOTH WHITE 1 1/4" x 96"	BURLAP96S			*

GLAZING SIDELITE BEAD



Description	Part#	Unit Price	10 Pack	Availability
COMPOSITE TEXTURED STAINABLE 1 1/4" x 96"	GLSLBWG			*
CELLULAR PVC SMOOTH WHITE 1 1/4" x 96"	GLSLBWC			*

GLAZING TRANSOM BEAD



Description	Part#	Unit Price	10 Pack	Availability
COMPOSITE TEXTURED STAINABLE 1 1/4" x 96"	GLTRBWG			*
CELLULAR PVC SMOOTH WHITE 1 1/4" x 96"	GLTRBWC			*

Prices, specifications, design and product detail are subject to change without notice.

